

A Series



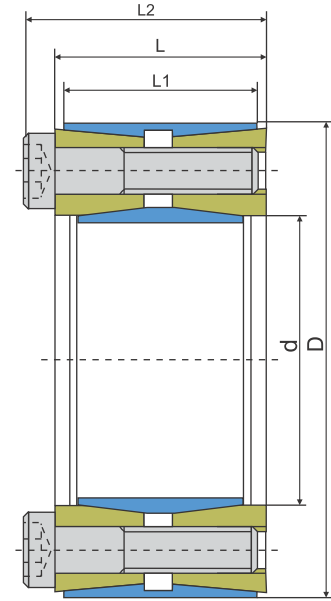
A Series

- Medium high torque
- Not self-centering
- Self-releasing
- No axial movement during clamping

Technical qualification

Tolerance : Shaft h8 / Hub H8

Surface roughness : Ra max. 12.5



(Screw head height = Screw diameter)

Part No.	Size (mm)	Dimensions (mm)		Rated Load		Contact Pressure		Locking Screws		Weight (Approx.) (kg)
	dxDxL	L1	L2	Axial (KN)	Torque (N.m)	Shaft (Mpa)	Hub (Mpa)	NxType (G. 12.9)	Tightening (N.m)	
OBC-19x47x20 A	19x47x20	17	26	28	270	221	93	8xM6	15	0.20
OBC-20x47x20 A	20x47x20	17	26	28	290	232	98	8xM6	15	0.22
OBC-22x47x20 A	22x47x20	17	26	30	290	200	90	8xM6	15	0.23
OBC-24x50x20 A	24x50x20	17	26	32	380	216	103	8xM6	15	0.23
OBC-25x50x20 A	25x50x20	17	26	33	400	200	100	8xM6	15	0.23
OBC-28x55x20 A	28x55x20	17	26	36	520	208	104	10xM6	15	0.27
OBC-30x55x20 A	30x55x20	17	26	37	520	183	99	10xM6	15	0.26
OBC-32x60x20 A	32x60x20	17	26	43	690	209	112	12xM6	15	0.28
OBC-35x60x20 A	35x60x20	17	26	44	770	196	113	12xM6	15	0.30
OBC-38x65x20 A	38x65x20	17	26	49	940	202	116	14xM6	15	0.33
OBC-40x65x20 A	40x65x20	17	26	49	980	190	115	14xM6	15	0.32
OBC-42x75x24 A	42x75x24	20	32	74	1560	233	129	12xM8	37	0.57
OBC-45x75x24 A	45x75x24	20	32	74	1700	216	127	12xM8	37	0.55
OBC-48x80x24 A	48x80x24	20	32	74	1830	214	122	12xM8	37	0.60
OBC-50x80x24 A	50x80x24	20	32	75	1830	196	118	12xM8	37	0.56
OBC-55x85x24 A	55x85x24	20	32	89	2490	218	140	14xM8	37	0.65
OBC-60x90x24 A	60x90x24	20	32	92	2640	192	126	14xM8	37	0.66
OBC-65x95x24 A	65x95x24	20	32	99	3240	202	136	16xM8	37	0.72
OBC-70x110x28 A	70x110x28	24	38	124	4700	218	135	14xM10	70	1.27
OBC-75x115x28 A	75x115x28	24	38	135	4800	185	119	14xM10	70	1.33
OBC-80x120x28 A	80x120x28	24	38	137	5400	185	124	14xM10	70	1.35
OBC-85x125x28 A	85x125x28	24	38	146	6300	195	130	16xM10	70	1.45
OBC-90x130x28 A	90x130x28	24	38	148	6500	178	124	16xM10	70	1.55
OBC-95x135x28 A	95x135x28	24	38	165	7800	193	134	18xM10	70	1.65
OBC-100x145x33 A	100x145x33	26	45	187	9560	195	135	14xM12	127	2.2
OBC-105x150x33 A	105x150x33	26	45	188	9750	178	125	14xM12	127	2.4



Part No.	Size (mm)	Dimensions (mm)		Rated Load		Contact Pressure		Locking Screws		Weight (Approx.) (kg)
	dxDxL	L1	L2	Axial (KN)	Torque (N.m)	Shaft (Mpa)	Hub (Mpa)	NxType (G. 12.9)	Tightening (N.m)	
OBC-110x155x33 A	110x155x33	26	45	195	10330	175	121	14xM12	127	2.4
OBC-120x165x33 A	120x165x33	26	45	210	12600	176	128	16xM12	127	2.6
OBC-125x170x33 A	125x170x33	26	45	210	13370	175	121	16xM12	127	3.2
OBC-130x180x38 A	130x180x38	34	50	279	18030	167	116	20xM12	127	3.6
OBC-140x190x38 A	140x190x38	34	50	296	20800	162	123	22xM12	127	3.8
OBC-150x200x38 A	150x200x38	34	50	326	24300	168	124	24xM12	127	4.1
OBC-160x210x38 A	160x210x38	34	50	351	28100	168	129	26xM12	127	4.5
OBC-170x225x44 A	170x225x44	38	58	392	33300	163	119	22xM14	195	5.9
OBC-180x235x44 A	180x235x44	38	58	435	39100	172	131	24xM14	195	6.1
OBC-190x250x52 A	190x250x52	46	66	502	44700	155	120	28xM14	195	8.5
OBC-200x260x52 A	200x260x52	46	66	522	51900	150	116	30xM14	195	9.0
OBC-210x275x56 A	210x275x56	50	72	605	63500	157	121	24xM16	300	10.1
OBC-220x285x56 A	220x285x56	50	72	640	69900	158	122	26xM16	300	11.0
OBC-240x305x56 A	240x305x56	50	72	703	84300	162	127	30xM16	300	12.4
OBC-250x315x56 A	250x315x56	50	72	737	92200	158	125	32xM16	300	12.8
OBC-260x325x56 A	260x325x56	50	72	840	109200	172	140	34xM16	300	19.3
OBC-280x355x66 A	280x355x66	60	84	870	122100	143	114	32xM18	410	21.1
OBC-300x375x66 A	300x375x66	60	84	974	145900	147	119	36xM18	410	21.5
OBC-320x405x78 A	320x405x78	72	98	1312	212600	157	126	36xM20	590	29.8
OBC-340x425x78 A	340x425x78	72	98	1338	222800	149	119	36xM20	590	30.0
OBC-360x455x90 A	360x455x90	84	112	1560	296700	153	122	36xM22	790	43.5
OBC-380x475x90 A	380x475x90	84	112	1633	300600	134	115	36xM22	790	46.5
OBC-400x495x90 A	400x495x90	84	112	1668	325100	136	111	36xM22	790	47.0
OBC-420x515x90 A	420x515x90	84	112	1830	385200	139	113	40xM22	790	50.0
OBC-440x545x102 A	440x545x102	96	126	1980	441400	126	102	40xM24	1000	65.0
OBC-450x555x102 A	450x555x102	96	126	2000	456000	126	106	40xM24	1000	66.0
OBC-460x565x102 A	460x565x102	96	126	2070	465900	121	97	40xM24	1000	67.0
OBC-470x585x102 A	470x585x102	96	126	2140	510000	128	102	42xM24	1000	71.0
OBC-480x585x102 A	480x585x102	96	126	2200	528800	124	99	42xM24	1000	71.0
OBC-500x605x102 A	500x605x102	96	126	2260	571000	128	102	44xM24	1000	73.0
OBC-520x630x102 A	520x630x102	96	126	2280	598000	126	101	45xM24	1000	80.0
OBC-530x640x102 A	530x640x102	96	126	2320	606000	116	97	45xM24	1000	83.6
OBC-540x650x102 A	540x650x102	96	126	2340	624000	119	99	45xM24	1000	82.0
OBC-560x670x102 A	560x670x102	96	126	2420	673000	119	99	48xM24	1000	85.0
OBC-580x690x102 A	580x690x102	96	126	2480	742000	121	101	50xM24	1000	88.0
OBC-600x710x102 A	600x710x102	96	126	2570	744000	115	96	50xM24	1000	91.0
OBC-620x730x102 A	620x730x102	96	126	2571	808000	119	99	52xM24	1000	93.0
OBC-630x740x102 A	630x740x102	96	126	2630	817000	112	96	54xM24	1000	94.0
OBC-640x750x102 A	640x750x102	96	126	2720	882000	117	102	54xM24	1000	96.0
OBC-660x770x102 A	660x770x102	96	126	2730	897000	116	97	56xM24	1000	99.0
OBC-670x780x102 A	670x780x102	96	126	2750	926000	116	101	56xM24	1000	101.0
OBC-680x790x102 A	680x790x102	96	126	2820	951000	110	96	56xM24	1000	102.0
OBC-700x810x102 A	700x810x102	96	126	2846	965000	115	100	60xM24	1000	104.0
OBC-710x820x102 A	710x820x102	96	126	2930	1030000	109	95	60xM24	1000	106.4
OBC-720x830x102 A	720x830x102	96	126	2960	1083000	120	104	60xM24	1000	107.0
OBC-740x850x102 A	740x850x102	96	126	3099	1113000	109	95	62xM24	1000	110.0
OBC-750x860x102 A	750x860x102	96	126	3120	1186000	117	102	62xM24	1000	112.0



Part No.	Size (mm)	Dimensions (mm)		Rated Load		Contact Pressure		Locking Screws		Weight (Approx.) (kg)
	dxDxDL	L1	L2	Axial (KN)	Torque (N.m)	Shaft (Mpa)	Hub (Mpa)	NxType (G. 12.9)	Tightening (N.m)	
OBC-760x870x102 A	760x870x102	96	126	3191	1194000	113	98	64xM24	1000	113.0
OBC-780x890x102 A	780x890x102	96	126	3220	1250000	115	100	65xM24	1000	116.0
OBC-800x910x102 A	800x910x102	96	126	3260	1300000	115	100	66xM24	1000	118.0
OBC-820x930x102 A	820x930x102	96	126	3470	1425000	120	104	68xM24	1000	121.0
OBC-840x950x102 A	840x950x102	96	126	3480	1479000	117	102	70xM24	1000	124.0
OBC-850x960x102 A	850x960x102	96	126	3500	1505000	118	103	70xM24	1000	125.0
OBC-860x970x102 A	860x970x102	96	126	3513	1526000	114	99	72xM24	1000	127.0
OBC-880x990x102 A	880x990x102	96	126	3530	1530000	110	96	74xM24	1000	129.0
OBC-900x1010x102 A	900x1010x102	96	126	3603	1613000	120	104	75xM24	1000	132.0
OBC-920x1030x102 A	920x1030x102	96	126	3684	1715000	105	95	76xM24	1000	136.8
OBC-940x1050x102 A	940x1050x102	96	126	3751	1716000	107	97	78xM24	1000	139.6
OBC-950x1060x102 A	950x1060x102	96	126	3762	1793000	116	104	79xM24	1000	139.8
OBC-960x1070x102 A	960x1070x102	96	126	3830	1822000	112	97	80xM24	1000	142.4
OBC-980x1090x102 A	980x1090x102	96	126	3960	1912000	105	95	81xM24	1000	145.2
OBC-1000x1090x102 A	1000x1090x102	96	126	4020	1980000	109	99	82xM24	1000	146.0

Inch size and special dimensions available upon request.

